

1/2" UNIVERSAL JOINT | E117264

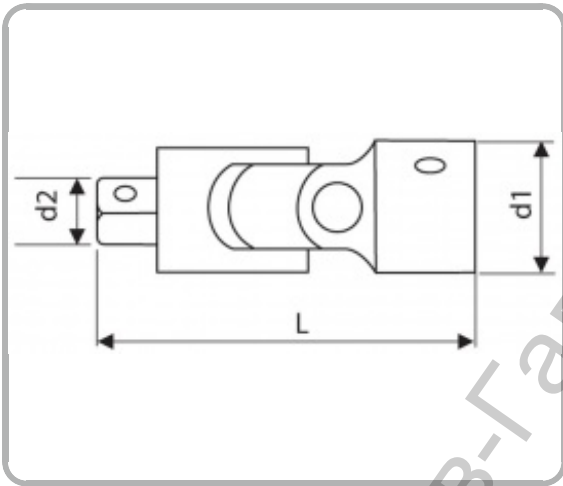


Description

- ISO 3316 - DIN 3123 - ISO 1174-1
- Chrome vanadium steel.
- High Chrome finish.
- For manual use.

Information

EAN	3258951172643
d1 [mm]	24.9
d2 [mm]	12.7
L [mm]	40,5
Conditioning	1
[g]	140



Ташев-Галвинг ООД
www.tashev-galving.com